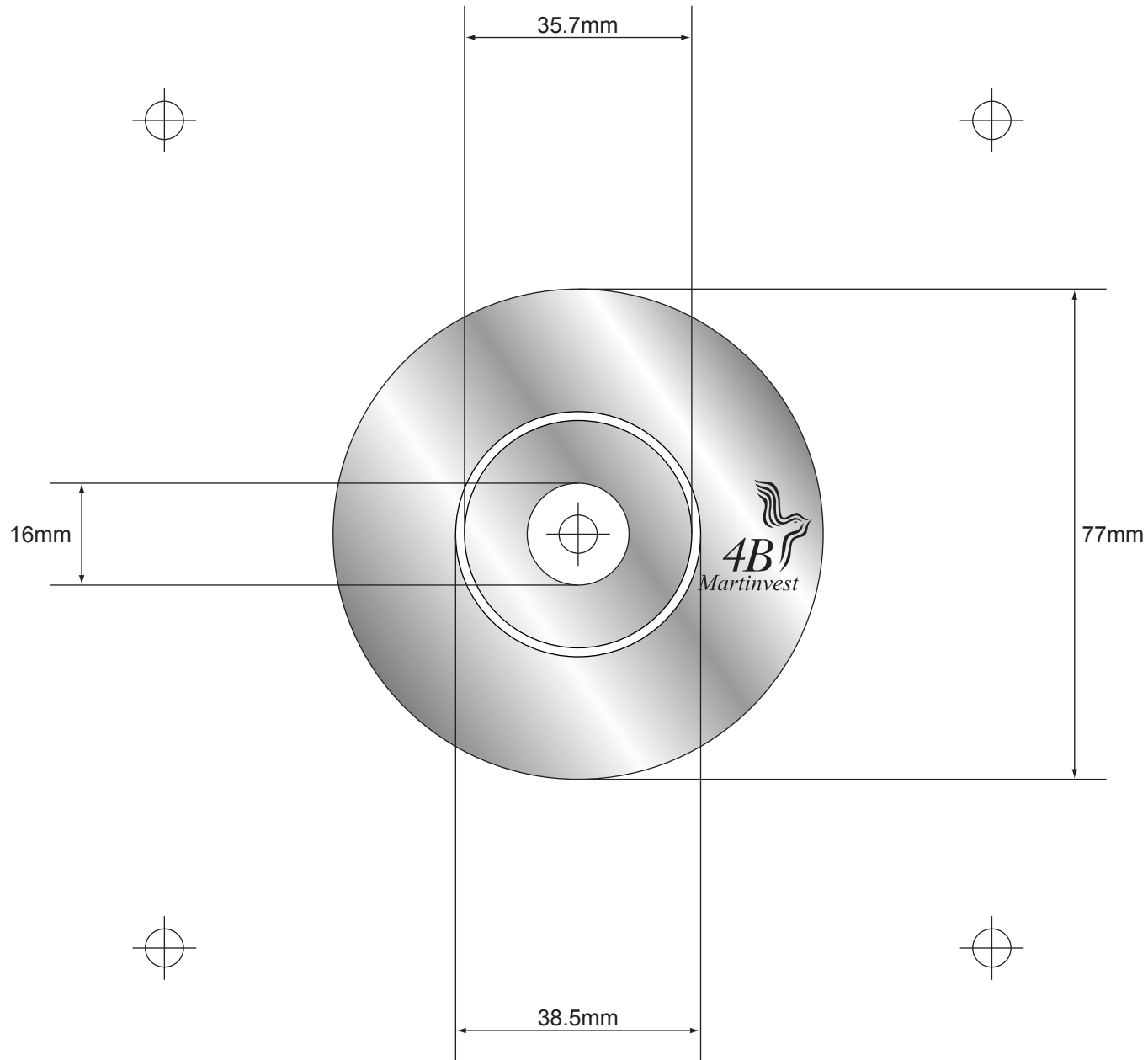


# CD-R Print Spec (8cm) - Offset Print

Further artwork specs and submission guidelines are available for download from our website at: [http://www.4bmartinvest.co.uk/resources/artwork\\_specs.htm](http://www.4bmartinvest.co.uk/resources/artwork_specs.htm)



Key

	Printable area
--	----------------

*Note: When printed, diagram may not be to size.*